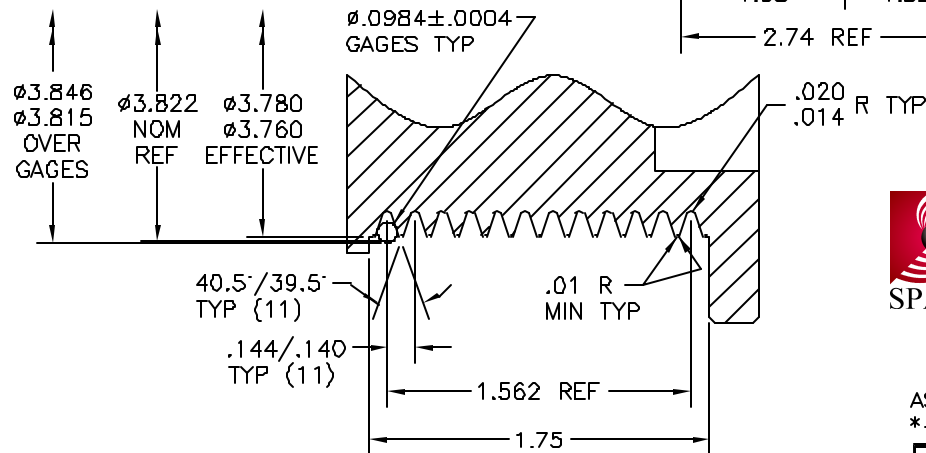
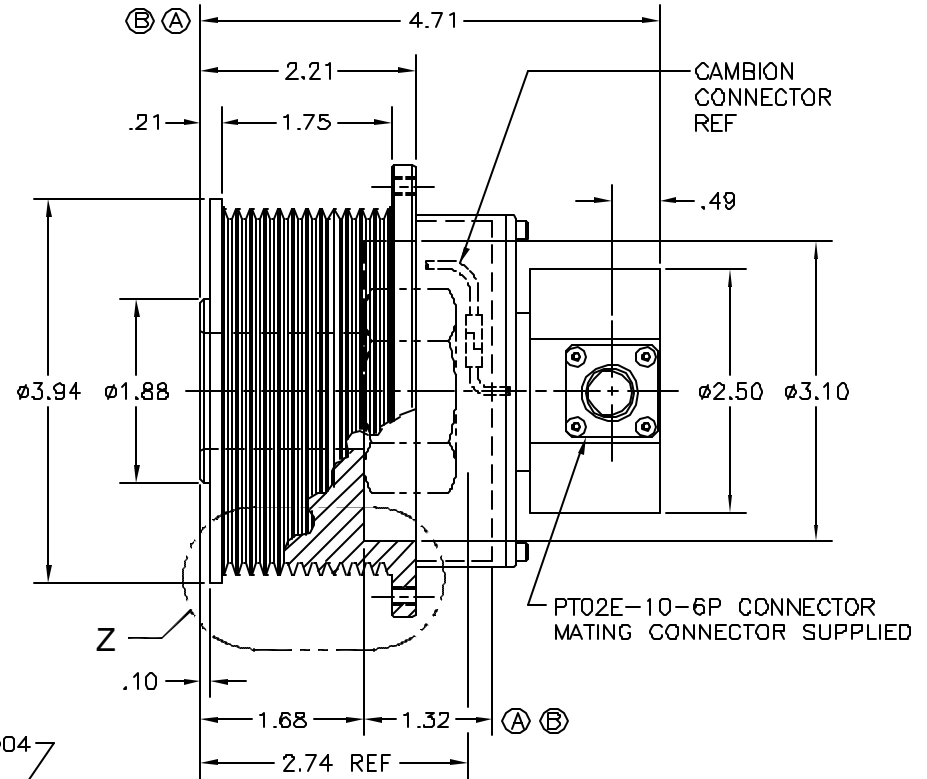
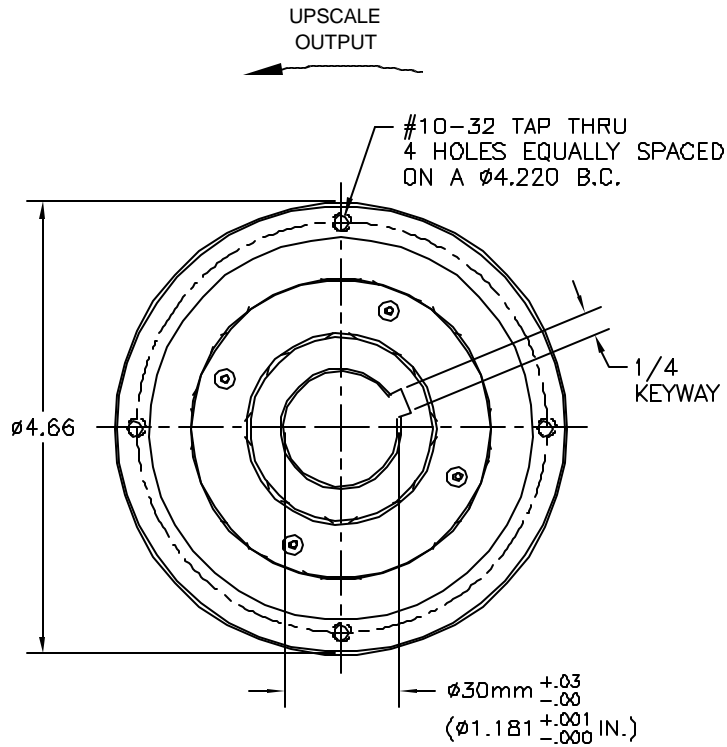


REV	DESCRIPTION	BY	DATE	CHK	ENG	REL DATE
-	REL. FOR PRODUCTION	-	-	-	-	3-31-10
A	4.59 WAS 4.93; 1.20 WAS 1.54	GMC	4-8-10	DS	DS	4-8-10
B	4.71 WAS 4.59; 1.32 WAS 1.20	GMC	4-15-10	DS	DS	4-15-10



Distributed by: Spare S.r.l.
Via Carlo Spagnolo, 4 - 27057 Varzi - Pavia - Italy
tel. +39-0383-54.51.51 - fax: +39-0383-54.50.51
<http://www.spare.it> - <http://www.spareonweb.com>
e-mail: sales@spare.it

ASSEMBLY DWG REF: 20525C0-*
*-INDICATES CURRENT REV

SPECIFICATIONS	MODEL: 01309-881-D0000
CAPACITY F.S.	100 Nm (885 IN. LBS.)
OUTPUT (mV/V) NOM., F.S.	1.5
OVERLOAD CAPACITY (%F.S.)	1.5
BRIDGE RESISTANCE (Ω)	350
COMPENSATED TEMP RANGE (°F)	70°F TO 170°F
USEABLE TEMP RANGE (°F)	-65°F TO +250°F
MAX RPM	10,000

VIEW Z
SCALE: 2X

PIN CODE	
PIN	FUNCTION
A	+ EXC.
B	+ SIG.
C	- SIG.
D	- EXC.
E	N/C
F	N/C

INSTALLATION		CHECKED BY	D.S.
MODEL: 01309-881-D0000		PROJ. ENG.	D.S.
FINISH	SCALE FULL	DRAWN BY	GMC
MATRL.		DATE	3-28-10
UNLESS OTHERWISE SPECIFIED DIM'S ARE IN INCHES XX $\pm .03$ X.XX $\pm .01$ X.XXX $\pm .005$ ANG. $\pm .5^\circ$		D.E. REVIEW	
Sensor Developments Inc. ORION, WI 48359		BY	DATE
1050 W SILVER BELL RD		DRAWING NUMBER	
20526C0-B		20526C0-B	