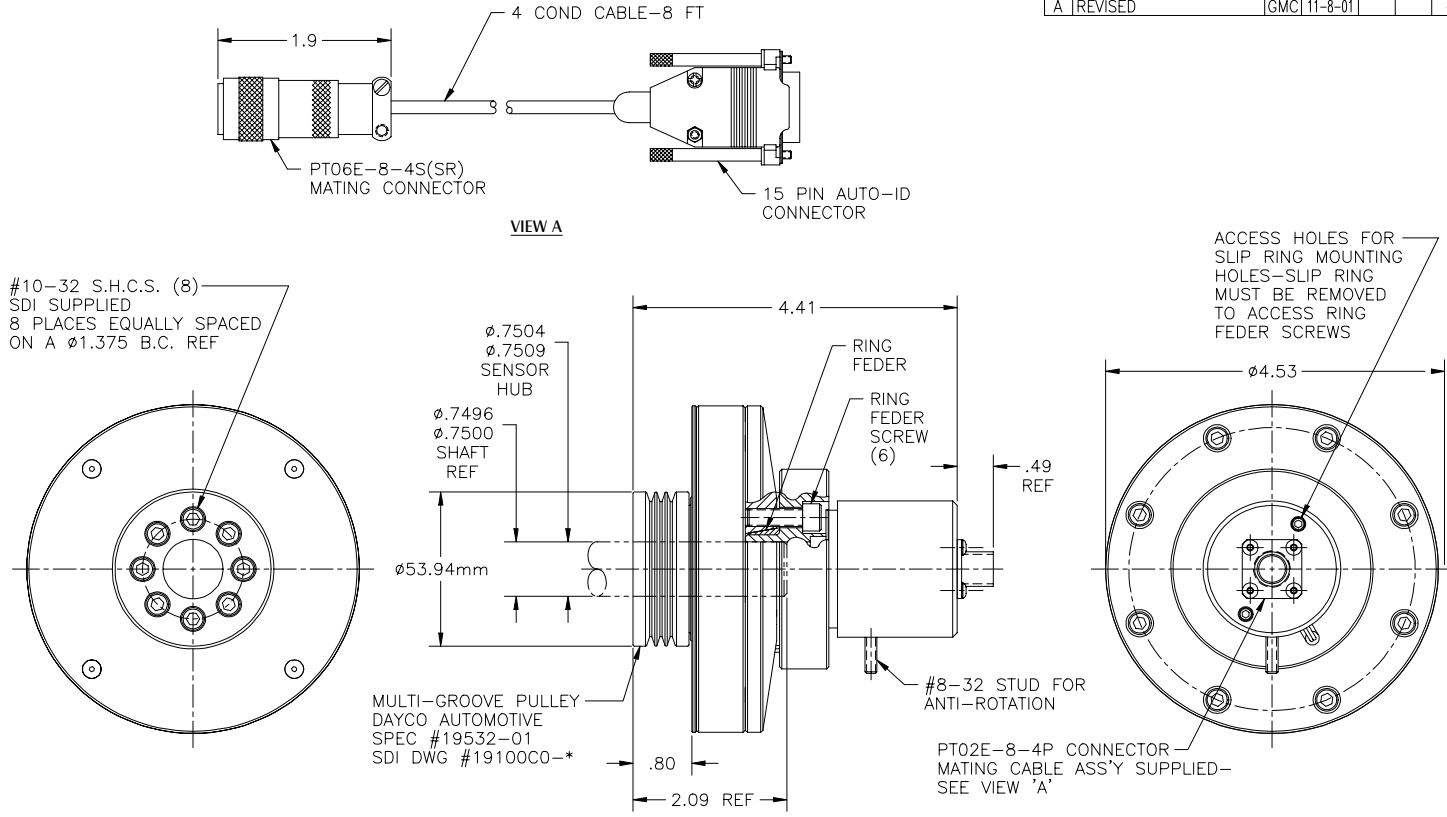


REV	DESCRIPTION	BY	DATE	CHK	ENG	REL DATE
-	REL. FOR PRODUCTION	-	-	-	-	10-30-01
A	REVISED	GMC	11-8-01			-



SPECIFICATIONS	MODEL: 01286-121-F0000
CAPACITY (IN. LBS.) F.S.	120
OUTPUT (mV/V) NOM., F.S.	2.0
BRIDGE RESISTANCE (Ω)	350
COMPENSATED TEMP RANGE (°F)	70°F TO 170°F
USEABLE TEMP RANGE (°F)	-65°F TO 250°F

POLARITY: C.W. UPSCALE
 ASSEMBLY DWG REF: 19095D0-*
 *-INDICATES CURRENT REV

PIN CODE		INSTALLATION		CHECKED BY
PIN	FUNCTION	FINISH	SCALE	D.S.
A	+ EXC.		FULL	D.S.
B	+ SIG.			D.S.
C	- SIG.			GMC
D	- EXC.			
UNLESS OTHERWISE SPECIFIED DIM'S ARE IN INCHES		DATE		10-24-01
X.X ±0.3 X.XX ±0.1 X.XXX ±0.05 ANG. ±5°		BY		DATE
Sensor Developments Inc. 1050 W SILVER BELL RD ORION, MI 48359		DRAWING NUMBER		19096C0-A



Distributed by: Spare S.r.l.
 Via Carlo Spagnolo, 4 - 27057 Varzi - Pavia - Italy
 tel. +39-0383-54.51.51 - fax: +39-0383-54.50.51
<http://www.spare.it> - <http://www.spareonweb.com>
 e-mail: sales@spare.it